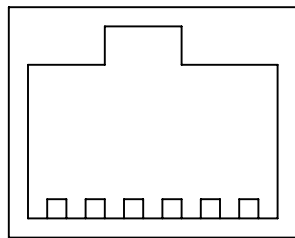


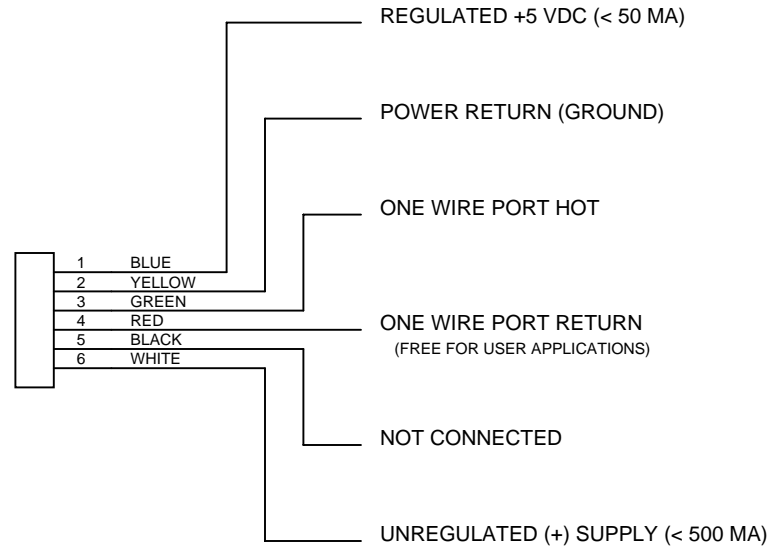
# DALLAS ONE-WIRE RJ11/12/14 CONNECTOR STANDARD

## PIN NUMBERING:



6 5 4 3 2 1  
 WHT BLK RED GRN YEL BLU

LOOKING INTO RJ-11  
 FEMALE CONNECTOR



## STANDARD PIN USE:

REGULATED +5 VDC (< 50 MA)  
 POWER RETURN (GROUND)  
 ONE WIRE PORT HOT  
 ONE WIRE PORT RETURN  
 (FREE FOR USER APPLICATIONS)  
 NOT CONNECTED  
 UNREGULATED (+) SUPPLY (< 500 MA)

## WARNING!

PIN NUMBERING AND WIRE COLORS VARIES BETWEEN MANUFACTURERS  
 ALWAYS VERIFY PIN NUMBERING SCHEME AND WIRE COLORS

### Notes:

1. All cables are USOC standard.
2. Do not put power on innermost four pins.

Title			DALLAS ONE-WIRE RJ-11		
Size	Number			Rev	
A	68-RJ110-001			A	
Date	Thu Oct 11 2001		Drawn by		
Filename	OWSTD.S01		Sheet 1 of 1		